

SIZE	TENSILE STRENGTH (N/mm ²)
TX-25	~116



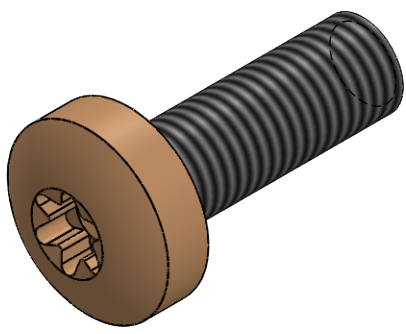
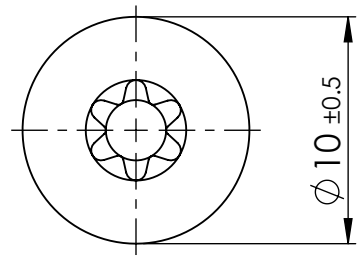
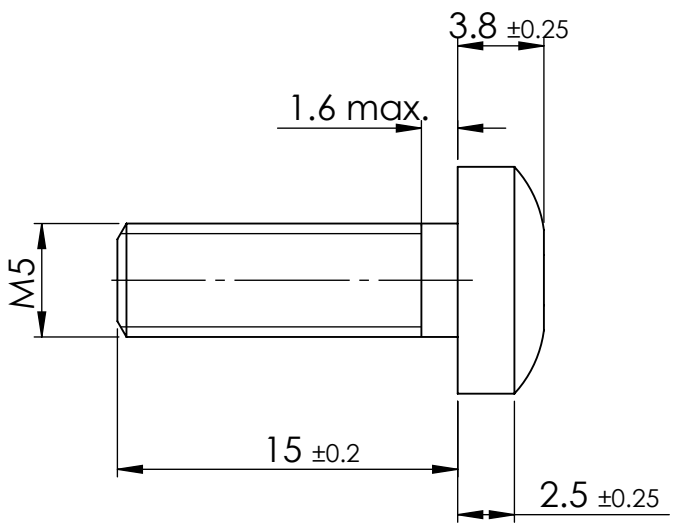
© 2013 Essentra Components. All rights reserved.
Registered in England, Company No. 547495.
Registered Office: Essentra plc
Langford Locks, Kidlington, Oxford, OX5 1HX

Condition of Sale can be found on our website: essentra.com.

Essentra Components does not warrant that the files will be error free and may create new versions ("Upgrades") at any time, which may correct such errors. Essentra Components has no obligation to notify you of such upgrades. Any upgraded file will be published to the website, when it becomes available.

You are not permitted to load any of the files on to a network server for the purposes of distribution to one or more other computer(s) on that network or to effect such distribution. Essentra Components shall not be liable for any loss or damage whatsoever or however caused, arising directly or indirectly from the use of the files.

UNCONTROLLED COPY



STATUS **APPROVED DRAWING**

UNLESS OTHERWISE STATED

ALL DIMENSIONS IN MM			DO NOT SCALE	
LINEAR TOLERANCE			THIRD ANGLE PROJECTION	
SIZE	(0)	(0.0)		
0-10	±0.5	±0.15 ±0.10	ANGULAR TOLERANCE ±0.5 DEGREES	
>10-30	±0.5	±0.20 ±0.15	UNSPECIFIED RADII 0.25mm	
>30-50	±0.5	±0.30 ±0.20	DRAFT ANGLE 0.5 DEGREES	
>50-100	±0.8	±0.50 ±0.25	DIMENSIONS IN PARENTHESIS () ARE FOR REFERENCE ONLY	
>100-200	±1.5	±0.80 ±0.40		
>200-300	±2.0	±1.20 ±0.80		
>300-500	±3.0	±2.00 ±1.00		
>500	±5.0	±3.00 ±1.50		

ITEM CODE 20820459 CREATE Jul 22 2025 00:00 AM

LEGACY CODE		PEEK	MATERIAL
		LIGHT BROWN	COLOUR
		-	FINISH

TITLE: M5X15 TORX PAN HEAD SCREW

DWG. No. SCALE 3:1 ISSUE 1 SHEET 1 of 2

SIZE	TENSILE STRENGTH(Lbf/in ²)
TX-25	~16824



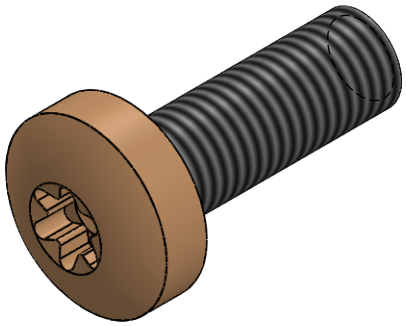
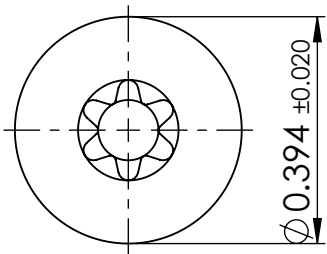
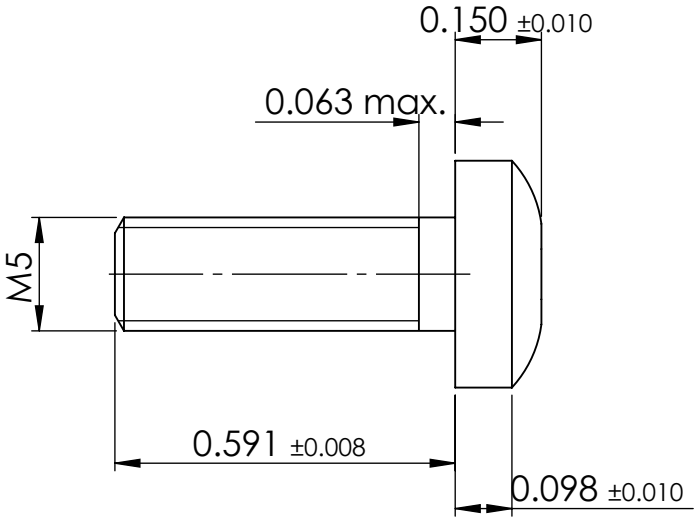
© 2013 Essentra Components. All rights reserved.
Registered in England, Company No. 547495.
Registered Office: Essentra plc
Langford Locks, Kidlington, Oxford, OX5 1HX

Condition of Sale can be found on our website: essentra.com.

Essentra Components does not warrant that the files will be error free and may create new versions ("Upgrades") at any time, which may correct such errors. Essentra Components has no obligation to notify you of such upgrades. Any upgraded file will be published to the website, when it becomes available.

You are not permitted to load any of the files on to a network server for the purposes of distribution to one or more other computer(s) on that network or to effect such distribution. Essentra Components shall not be liable for any loss or damage whatsoever or however caused, arising directly or indirectly from the use of the files.

UNCONTROLLED COPY



STATUS **APPROVED DRAWING**

UNLESS OTHERWISE STATED

ALL DIMENSIONS IN inches			DO NOT SCALE
LINEAR TOLERANCE			THIRD ANGLE PROJECTION
SIZE	(0.00)	(0.000)	(0.0000)
0 - 0.394	±0.020	±0.006	±0.004
>0.394 - 1.181	±0.020	±0.008	±0.006
>1.181 - 1.969	±0.020	±0.012	±0.008
>1.969 - 3.937	±0.031	±0.020	±0.010
>3.937 - 7.874	±0.059	±0.031	±0.016
>7.874 - 11.811	±0.079	±0.047	±0.031
>11.811 - 19.685	±0.118	±0.079	±0.039
>19.685	±0.197	±0.118	±0.059
ANGULAR TOLERANCE			±0.5 DEGREES
UNSPECIFIED RADII			0.25mm
DRAFT ANGLE			0.5 DEGREES
DIMENSIONS IN PARENTHESIS			() ARE FOR REFERENCE ONLY

ITEM CODE	20820459	CREATE	Jul 22 2025 00:00 AM
LEGACY CODE		MATERIAL	PEEK
		COLOUR	LIGHT BROWN
		FINISH	-

TITLE:
M5X15 TORX PAN HEAD SCREW

DWG. No.	20820459	SCALE	2:1	ISSUE	1
			SHEET	2 of 2	